



iDesigno

20W Adatto Adjustable Light

TECHNICAL DATA SHEET

The 20W Adatto adjustable light features multiple installation options including surface, track and suspended for versatile applications. The lamp body rotates 90° vertically and 315° horizontally, allowing precise directional lighting alongside interchangeable CCT for adaptable illumination, making it the ideal choice for a range of lighting applications.

Areas for Application

- Foyers
- Office Spaces
- Shopping Centres
- Commercial Complexes
 - Exhibitions
 - Museums
 - Art Galleries
- Feature Lighting

8/94 Forsyth Street O'Connor WA, 6163

+61 (08) 6371 1780

sales@ledtec.com.au

www.iDesigno.com.au

iDesigno is a brand by Ledtec



LEDTEC

TECHNICAL SPECIFICATIONS

Product	
Model - Track Light - White	ID-TLU-ADA-20W-60-3CCT-WHT
Model - Track Light - Black	ID-TLU-ADA-20W-60-3CCT-BLK

Luminaire Information	
Rated Power	20W
Fixture Installation	Surface Mount
	Track Installation
	Suspended Installation
Dimmable Options	Dimmable
	DALI Dimmable Optional
CCT Selection DIP Switch	Yes

Driver Information	
Driver Type	Built In
Dimming Option	Triac Dimmable Driver
Input Voltage	220 - 240VAC

Warranty	
Warranty	5 Years

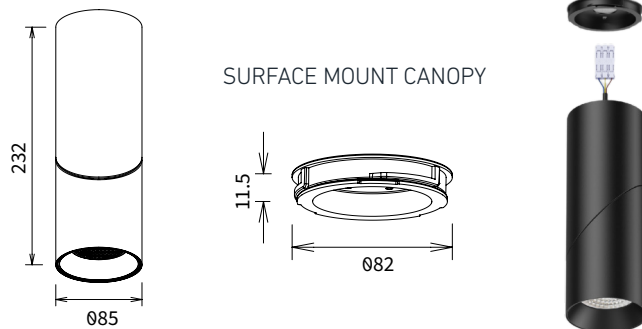
Material & Finish	
Ingress Protection Rating	IP20
Material Composition	Aluminium (Housing)
	PC (Optics)
Product Finish	RAL9016 - White
	RAL9005 - Black

Product Dimensions (mm)	
Surface Mount	Ø85 x 232
Track Installation	Ø85 x 278
Track Installation (DALI)	Ø85 x 289
Suspended Installation	Ø85

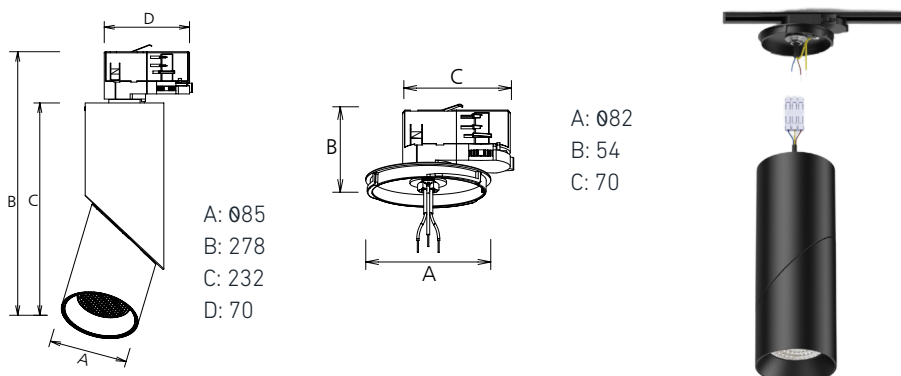
Optical Characteristics	
Correlated Colour Temperature	3000K + 4000K + 5000K
Colour Rendering Index	90 Ra
LED Type	COB
LED Expected Lifespan	50,000 hrs
Luminous Flux	1800 - 1900lms
Beam Angle	60°
SDCM	<5

SIZE DIAGRAMS

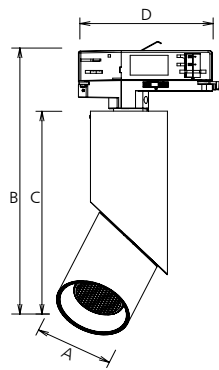
SURFACE MOUNT



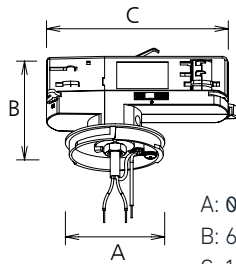
TRACK INSTALLATION



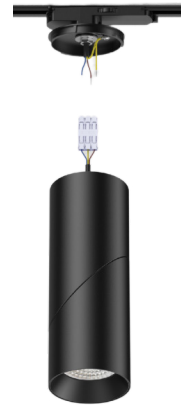
TRACK INSTALLATION - DALI



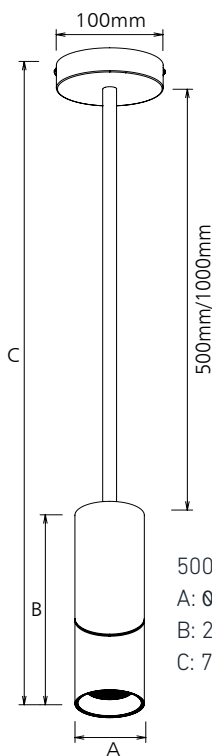
A: Ø85
B: 289
C: 232
D: 113



A: Ø82
B: 64
C: 113



SUSPENDED INSTALLATION



500MM 1000MM
A: Ø85 A: Ø85
B: 232 B: 232
C: 757 C: 1257

