



# iDesigno

## 15W Adatto Adjustable Light

TECHNICAL DATA SHEET

The 15W Adatto adjustable light features multiple installation options including surface, track and suspended for versatile applications. The lamp body rotates 90° vertically and 315° horizontally, allowing precise directional lighting alongside interchangeable CCT for adaptable illumination, making it the ideal choice for a range of lighting applications.

### Areas for Application

- Foyers
- Office Spaces
- Shopping Centres
- Commercial Complexes
  - Exhibitions
  - Museums
  - Art Galleries
- Feature Lighting

8/94 Forsyth Street O'Connor WA, 6163

+61 (08) 6371 1780

[sales@ledtec.com.au](mailto:sales@ledtec.com.au)

[www.iDesigno.com.au](http://www.iDesigno.com.au)

iDesigno is a brand by Ledtec



# LEDTEC

## TECHNICAL SPECIFICATIONS

Product	
Model - Pendant Light - White	ID-PDU-ADA-15W-60-3CCT-WHT
Model - Pendant Light - Black	ID-PDU-ADA-15W-60-3CCT-BLK

Luminaire Information	
Rated Power	15W
Fixture Installation	Surface Mount Track Installation Suspended Installation
Dimmable Options	Dimmable DALI Dimmable Optional
CCT Selection DIP Switch	Yes

Driver Information	
Driver Type	Built In
Dimming Option	Triac Dimmable Driver
Input Voltage	220 - 240VAC

Warranty	
Warranty	5 Years

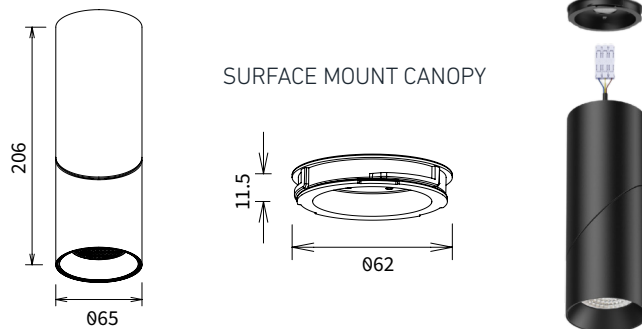
Material & Finish	
Ingress Protection Rating	IP20
Material Composition	Aluminium (Housing) PC (Optics)
Product Finish	RAL9016 - White RAL9005 - Black

Product Dimensions (mm)	
Surface Mount	Ø65 x 206mm
Track Installation	Ø65 x 248mm
Track Installation (DALI)	Ø65 x 259mm
Suspended Installation	Ø65mm

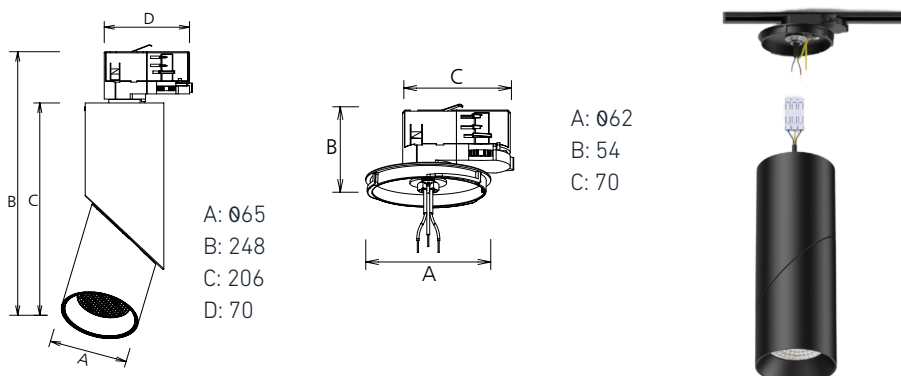
Optical Characteristics	
Correlated Colour Temperature	3000K + 4000K + 5000K
Colour Rendering Index	90 Ra
LED Type	COB
LED Expected Lifespan	50,000 hrs
Luminous Flux	1150 - 1200lms
Beam Angle	60°
SDCM	<5

## SIZE DIAGRAMS

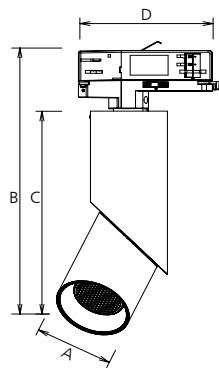
### SURFACE MOUNT



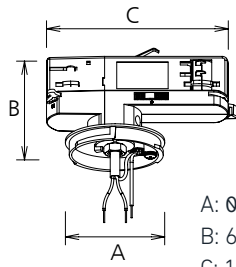
### TRACK INSTALLATION



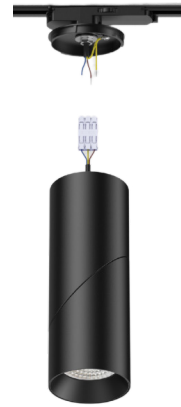
## TRACK INSTALLATION - DALI



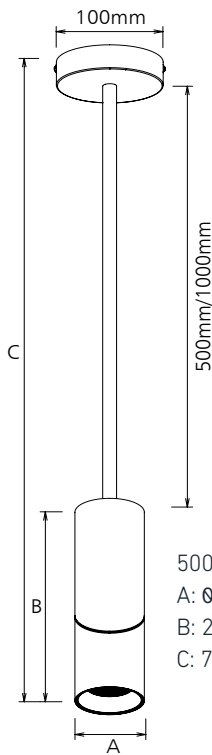
A: Ø65  
B: 259  
C: 206  
D: 113



A: Ø62  
B: 64  
C: 113



## SUSPENDED INSTALLATION



500MM 1000MM  
A: Ø65 A: Ø65  
B: 206 B: 206  
C: 731 C: 1231

500MM  
A: 534.5  
1000mm  
A: 1034.5

