



iDesigno

10W Tratto Wall Light

TECHNICAL DATA SHEET

A stylish wall light available in curved or rectangular forms, featuring an up/down lighting design. With optional decorative accessories, it offers both functional illumination and architectural appeal for modern interior and exterior applications.

Areas for Application

- Facades & Entrances
- Pathways & WALLS
- Patios & Courtyards
- Gardens & Landscapes
- Hospitality Exteriors

8/94 Forsyth Street
O'Connor WA 6163
08 6371 1780
sales@ledtec.com.au
www.iDesigno.com.au
iDesigno is a brand by Ledtec



LEDTEC

TECHNICAL SPECIFICATIONS

Product

Model - Semi Circle	ID-WLU-TRA-10W-4K-BK-SC
Model - Square	ID-WLU-TRA-10W-4K-BK-SQ

Luminaire Information

Rated Power	2 x 5W
Installation	Wall Mount
Light Direction	Up / Down

Driver Information

Driver Type	Built In Flicker Free
Dimming Option	Non-Dimmable
Rated Input Voltage	AC 220 - 240V

Warranty

Warranty	5 Years
----------	---------

Material & Finish

Ingress Protection Rating	IP65
Material Composition (Housing)	Aluminum
Product Finish (Base)	Black RAL9005 Optional: White RAL9016 Grey RAL7016

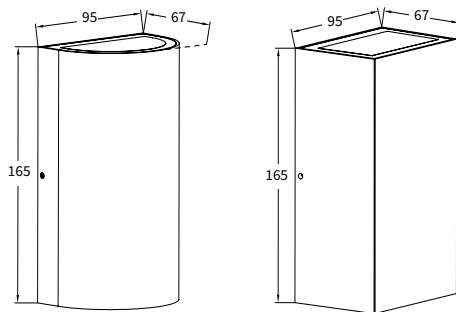
Product Dimensions

Dimensions	165 x 95 x 67mm
------------	-----------------

Optical Characteristics

Correlated Colour Temperature	4000K Standard 2700K - 5700K Optional
Colour Rendering Index	85Ra
LED Type	COB
LED Expected Lifespan	50,000hrs
Luminous Flux	700 - 1000lm
Beam Angle	100°
SDCM	<6

SIZE DIAGRAMS



ACCESSORIES

