



iDesigno 10W Inclino Downlight

TECHNICAL DATA SHEET

The Inclino range is a high-efficiency downlight featuring a flexible rotary head for precise angle adjustment and simplified installation. Designed to deliver strong lumen output with enhanced versatility, it's ideal for commercial projects requiring reliable performance and flexible lighting control.

Areas for Application

- Retail Stores
- Offices
- Showrooms
- Reception Areas
- Commercial Areas

8/94 Forsyth Street
O'Connor WA 6163
08 6371 1780
sales@ledtec.com.au
www.iDesigno.com.au
iDesigno is a brand by Ledtec



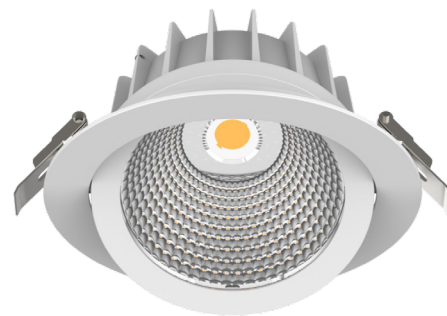
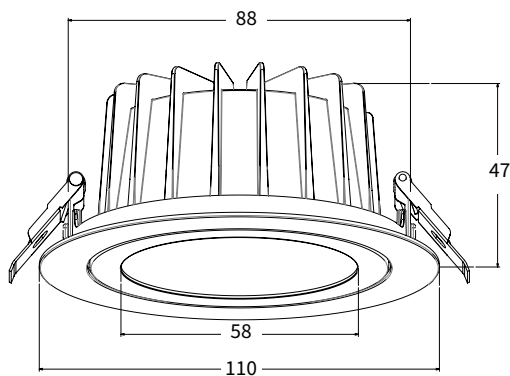
LEDTEC

TECHNICAL SPECIFICATIONS

| Product | |
|-----------------------|--------------------------------------|
| Model | <i>ID-DLU-INC-10W-60-4K-WH</i> |
| Luminaire Information | |
| Rated Power | <i>10W</i> |
| Installation | <i>Recessed</i> |
| Dimming Option | <i>Dimmable</i> |
| Rotation of Head | <i>25 - 30° Flexible Rotary Head</i> |
| Driver Information | |
| Driver Type | <i>Built In Flicker Free</i> |
| Dimming Option | <i>Triac Dimmable</i> |
| Rated Input Voltage | <i>AC 220 - 240V</i> |
| Warranty | |
| Warranty | <i>5 Years</i> |

| Material & Finish | |
|--------------------------------|--|
| Ingress Protection Rating | <i>IP20</i> |
| Material Composition (Housing) | <i>Aluminum Die-Casting</i> |
| Material Composition (Lens) | <i>PC</i> |
| Product Finish (Base) | <i>White RAL9016</i> |
| IC Rating | <i>IC4</i> |
| Product Dimensions | |
| Dimensions | <i>Ø110 x 47mm</i> |
| Cut Out | <i>Ø90 - 95mm</i> |
| Optical Characteristics | |
| Correlated Colour Temperature | <i>4000K Standard 2700K - 5000K Optional</i> |
| Colour Rendering Index | <i>90Ra</i> |
| LED Type | <i>COB</i> |
| LED Expected Lifespan | <i>50,000hrs</i> |
| Luminous Flux | <i>1100 - 1550lms</i> |
| Beam Angle | <i>60°</i> |
| SDCM | <i><3</i> |

SIZE DIAGRAMS



↻ 25° ~ 30°

Flexible Rotary Head